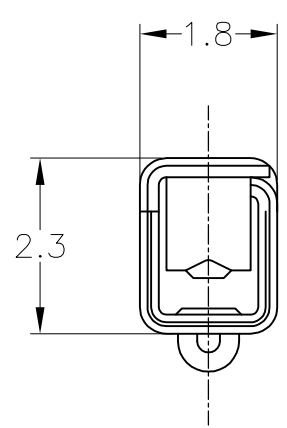
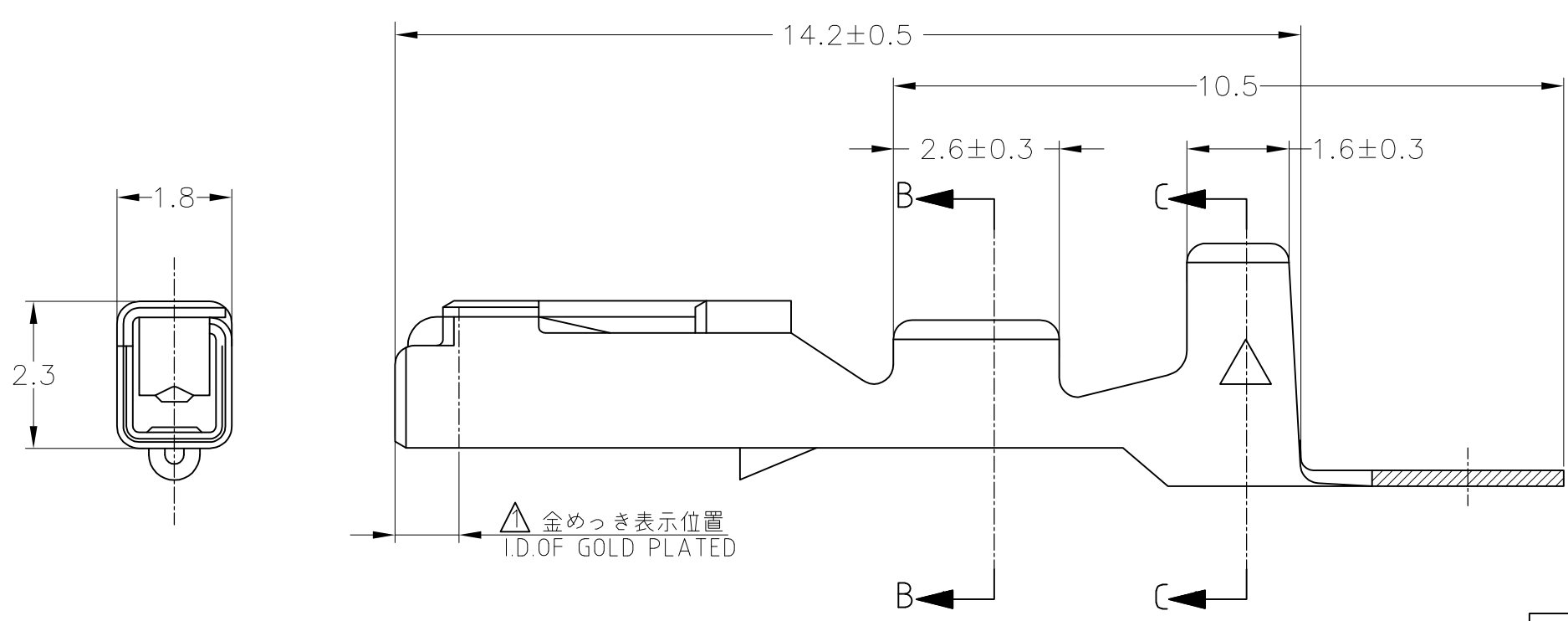
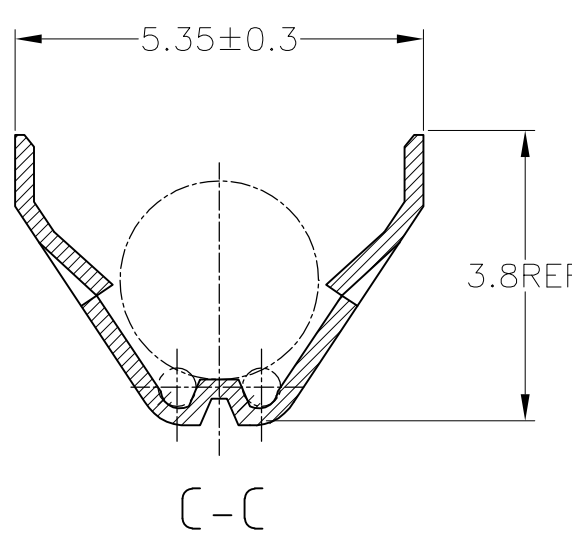
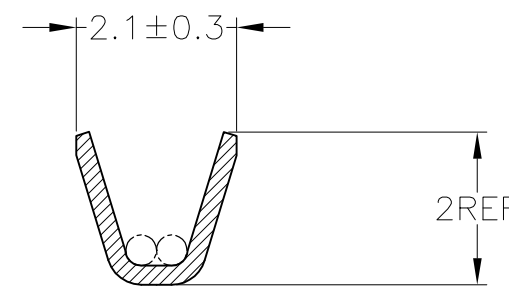
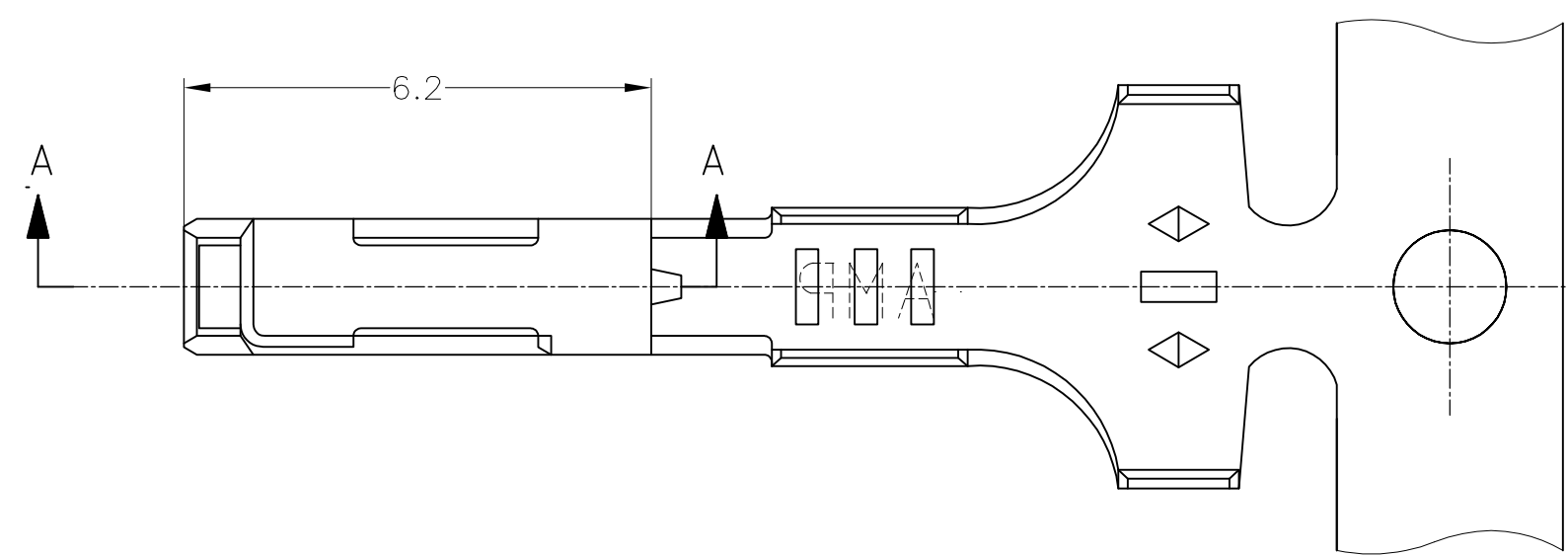


THIS DRAWING IS UNPUBLISHED. RELEASED FOR PUBLICATION
 © COPYRIGHT - By - ALL RIGHTS RESERVED.

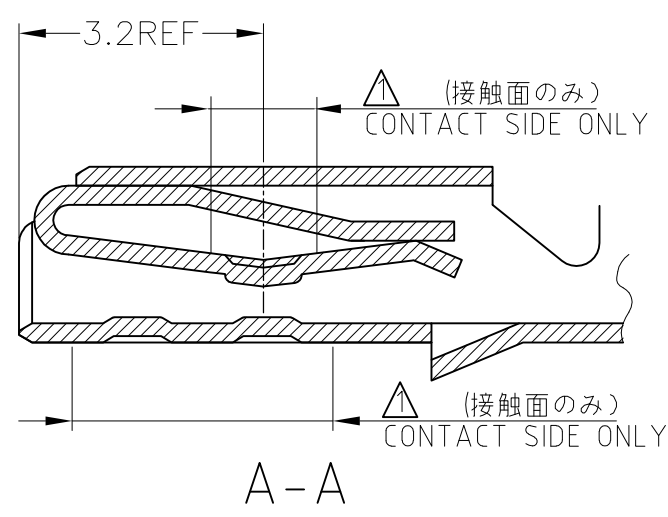
LOC	DIST	REVISIONS 変更			
P	LTR	DESCRIPTION	DATE	DWN	APVD
	P	REVISED PER ECO-11-005140	28MAR11	RK	HMR



△ SELECTIVE GOLD
 2. APPLICATION SPEC NO. 114-5111

△ 部分金めっき
 2. 取付適用規格番号 114-5111

175061-2	SELECTIVE GOLD 部分金めっき	173716-2
175061-1	PRE-TINNED 錫めっき済	173716-1
LOOSE PIECE NO. バラ状端子型番	FINISH 仕上げ	PART NUMBER 製品型番
WIRE RANGE (抱合電線断面積) 0.3~0.5mm ² (AWG#22~20)		INSULATION DIA. (被覆外径) 1.8~2 mmφ



TOLERANCES UNLESS OTHERWISE SPECIFIED: 一般公差

10 ≥	±0.2
30 ≥	> 10 : ±0.25
100 ≥	> 30 : ±0.3
ANGLE	±3°

THIS DRAWING IS A CONTROLLED DOCUMENT.

DIMENSIONS: 単位: 耗 mm

TOLERANCES UNLESS OTHERWISE SPECIFIED: 一般公差

0 PLC	±
1 PLC	±
2 PLC	±
3 PLC	±
4 PLC	±
ANGLES	±

MATERIAL 材料 THICKNESS 板厚 0.25

FINISH 仕上 SEE TABLE 表参照

THIS DRAWING IS A CONTROLLED DOCUMENT.

DWN	M.SUGAWARA	29NOV06
CHK	K.BETSUI	29NOV06
APVD	K.BETSUI	29NOV06
PRODUCT SPEC	製品規格	
APPLICATION SPEC	取付適用規格	
WEIGHT	-	

NAME 名称: 040 SERIES RECEPTACLE CONTACT

SIZE	CAGE CODE	DRAWING NO 番号	RESTRICTED TO
A3	00779	C-173716	-

CUSTOMER DRAWING

SCALE 尺度	10:1	SHEET	1 OF 1	REV	P
----------	------	-------	--------	-----	---